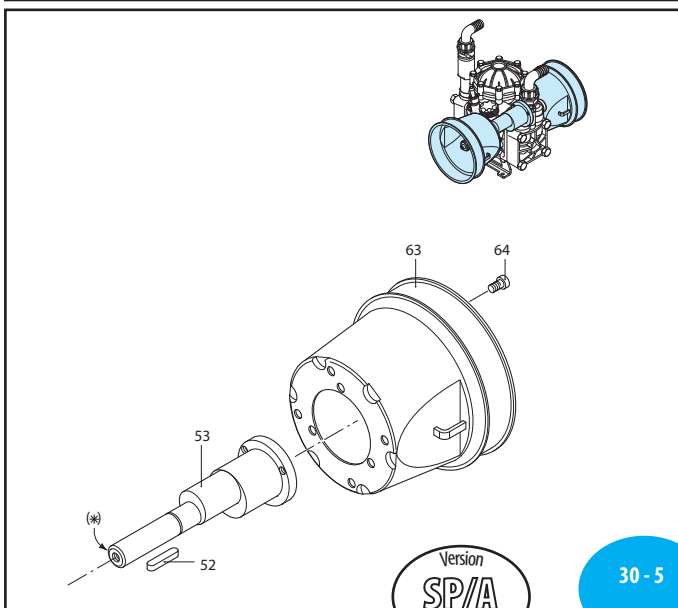
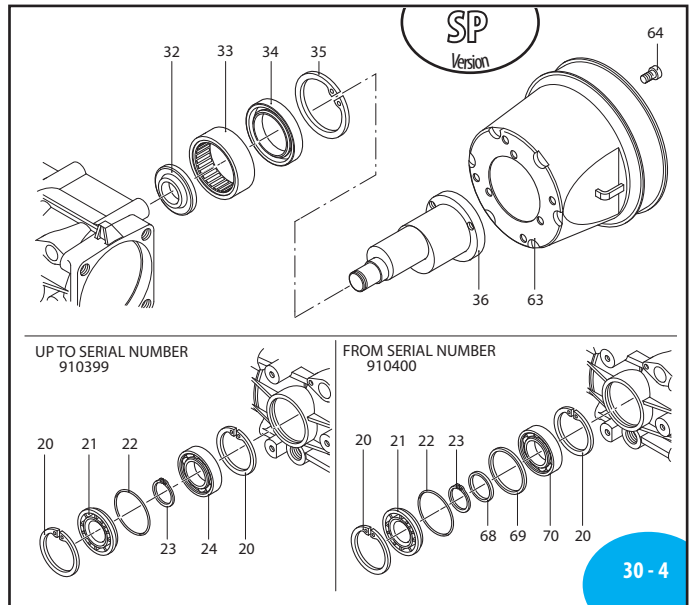
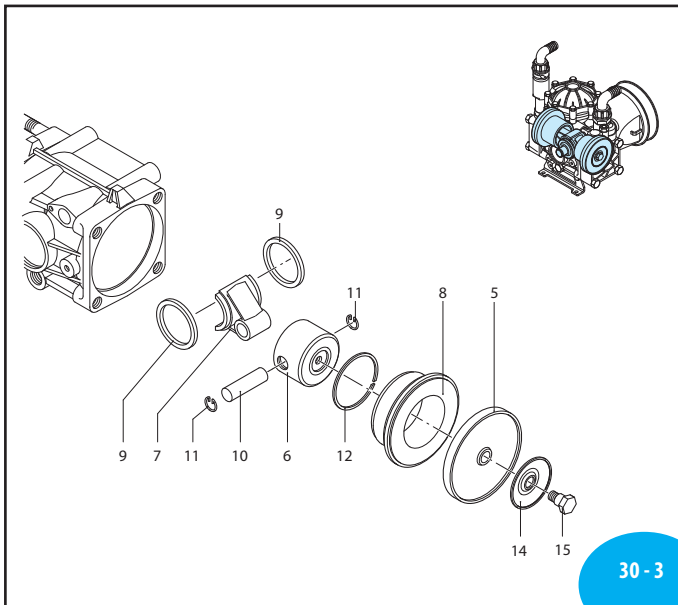
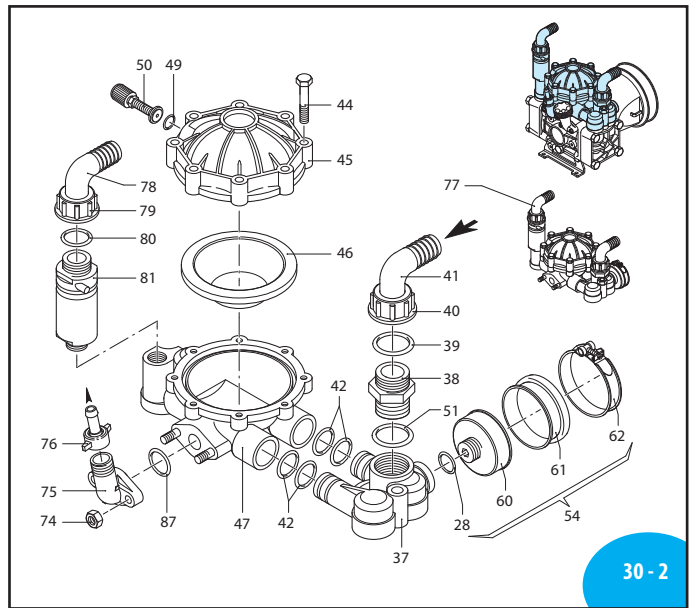
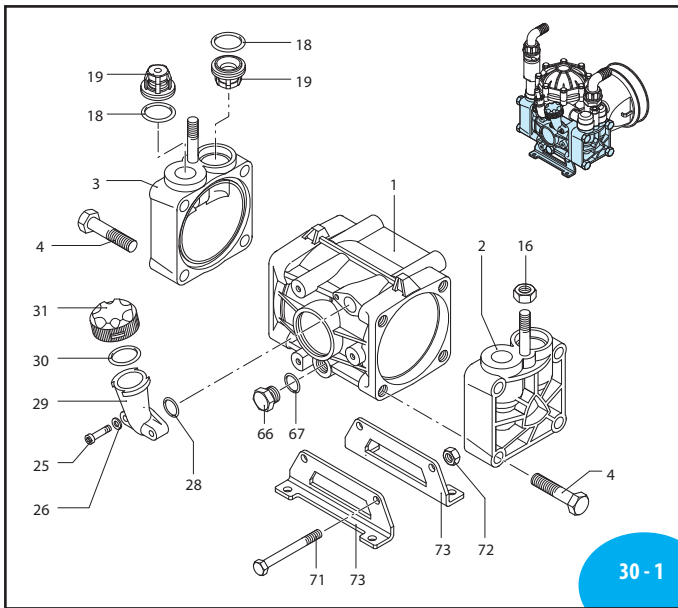


A.R. NORTH AMERICA

AR 30 - AR 40



AR 30 - AR 40

Pos	Code	Description	Qty	Note
1	620011	Pump body	1	
2	620101	Head	1	
3	620102	Head	1	
4	621430	Screw TE M12x55	8	T445*
5	620080	Diaphragm	2	NBR
	620081	Diaphragm	2	Viton
	620085	Diaphragm	2	Desmopan
	620082	Diaphragm	2	BlueFlex™
6	620120	Piston Ø 56	2	
7	620140	Connecting-rod	2	
8	620110	Sleeve	2	AR30
	622190	Sleeve	2	AR40
9	580470	Ring connecting rod	2	
10	380300	Pin	2	
11	380080	Ring circlip Øi 14	4	
12	160230	Piston ring	2	
14	1040180	Plate	2	
15	580360	Hub pin	2	T180*
16	180150	Nut M10	2	T350*
18	620030	O-ring Ø 25.80x3.53	4	
	620031	O-ring Ø 25.80x3.53	4	Viton
19	629050	Valve	4	
20	111120	Ring circlip Øi 47	2	
21	620020	Cover	1	
22	620210	O-ring Ø 40.95x2.62	1	
23	620291	Ring circlip Øe 20	1	
24	620191	Bearing	1	
25	850850	Screw TCEI M6x30	2	T90*
26	550331	Washer	2	
28	180101	O-ring Ø 17.5x2	2	
29	550030	Tank	1	
30	550040	O-ring Ø 26.65x2.62	1	
31	550050	Cap Orange	1	AR30
	550052	Cap Black	1	AR40
32	620160	Spacer	1	
33	550060	Bushing	1	
34	620130	Ring seal	1	
35	620330	Ring circlip Øi 65	1	
36	620170	Shaft	1	(N) AR30
	622200	Shaft	1	AR40
37	620150	Fitting	1	
38	550340	Fitting 1" G M-M	1	AR30
	450120	Fitting 1" G - 1 1/4" GM-M	1	AR40
39	550350	O-ring Ø 23.81X2.62	1	AR30
	390290	O-ring Ø 29x3	1	AR40
40	550242	Ring nut 1" G	1	AR30
	550810	Ring nut 1" G	1	AR40
41	550370	Elbow 1"	1	AR30
	580040	Elbow 1" G	1	AR40
42	390060	O-ring Ø 20.63x2.62	4	
44	621780	Screw TE M8x40	8	T180*

Pos	Code	Description	Qty	Note
45	620230	Semi air chamber upper	1	Red
	629211	Semi air chamber upper / w-air valve	1	
46	550194	Air chamber Diaphragm	1	BlueFlex™
47	620180	Semi air chamber lower	1	
	629209	Semi air chamber lower	1	See ●
49	650542	Gasket	1	
50	180020	Air valve	1	
51	390290	O-ring Ø 29x3	1	
52	620680	Key	1	For 620172
53	620172	Shaft marked P	1	Ø 20 mm (P) AR30
	620174	Shaft marked R	1	Ø 3/4" (R) AR30
	622210	Shaft	1	Ø 3/4" (R) AR40
54	659209	Diaphragm Chamber Assembly	1	Buna
55	620661	Flange	1	
56	620670	Washer	1	
57	180370	Screw TE M8x25	1	T180*
58	620630	Ring seal	1	
59	620021	Cover	1	
60	650660	Diaphragm holder anodized	1	
61	650670	Diaphragm	1	NBR
	650671	Diaphragm	1	BlueFlex™
62	651670	Clamp	1	
63	1500350	Shield	1	
64	820670	Screw TCEI M10x16	4	T90*
65	620190	Bearing	1	
66	880530	Plug 3/8" G	1	T180*
67	740290	O-ring Ø 14x1.78	1	
68	620930	Spacer	1	
69	620940	Spacer	1	
70	380230	Bearing	1	
71	380210	Screw TE M8x75	2	T265*
72	380240	Nut M8	2	
73	380200	Foot	2	
74	390270	Nut M8	2	T180*
75	450145	Flange	1	
76	110130	Ring nut 1/2"	1	
77	1522	Air chamber	1	
78	550460	Elbow 3/4"	1	
79	550450	Ring nut 3/4" G	1	
80	880831	O-ring Ø 15.54x2.62	1	Viton
81	1609001	Safety valve	1	
82	680350	Screw TCEI M8x35	1	T180*
83	380241	Washer	3	
84	1200521	Spacer	3	
85	961340	Washer	1	
86	621370	Coupling	1	For 620172
87	550350	O-ring Ø 23.81X2.62	1	
88	680350	Screw TCEI M8x35	3	T90*
89	659212	Diaphragm Chamber Assembly	1	BlueFlex™
90	330170	Plug Lower Air Chamber	1	Not shown
91	180101	O-Ring for lower air chamber plug	1	Not shown

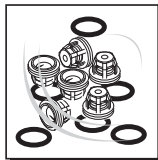
Medium pressure

● With plug and o-ring for version without safety valve.

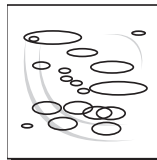
* Torque: in-lbs +/- 10%



AR 43282 Buna diaphragms	
AR 43285 BlueFlex™ diaphragms	
AR 43283 Desmopan diaphragms	
Pos.	Qty
5	2
18	4
46	1



AR 1917 Valves	
Pos.	Qty
18	4
19	4



AR 1916 O-Rings	
Pos.	Qty
18	4
22	1
28	2
39	2
42	4
49	1
51	1
67	1



Suggested oil	
Type	Oz
AR64516	16

Crankcase Oil
Capacity 26 oz